



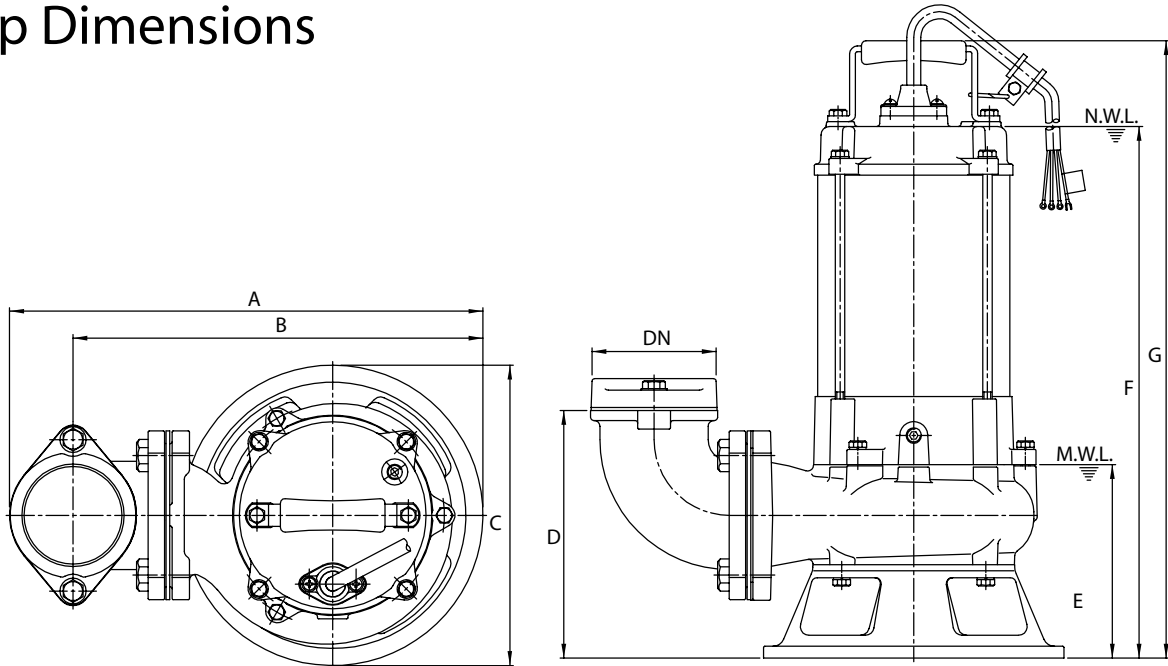
Dimensional Drawing

SSE Models

01/15/2005

SSE-3(AC/V)-XX-20; SSE-3(C/V)-XX-30

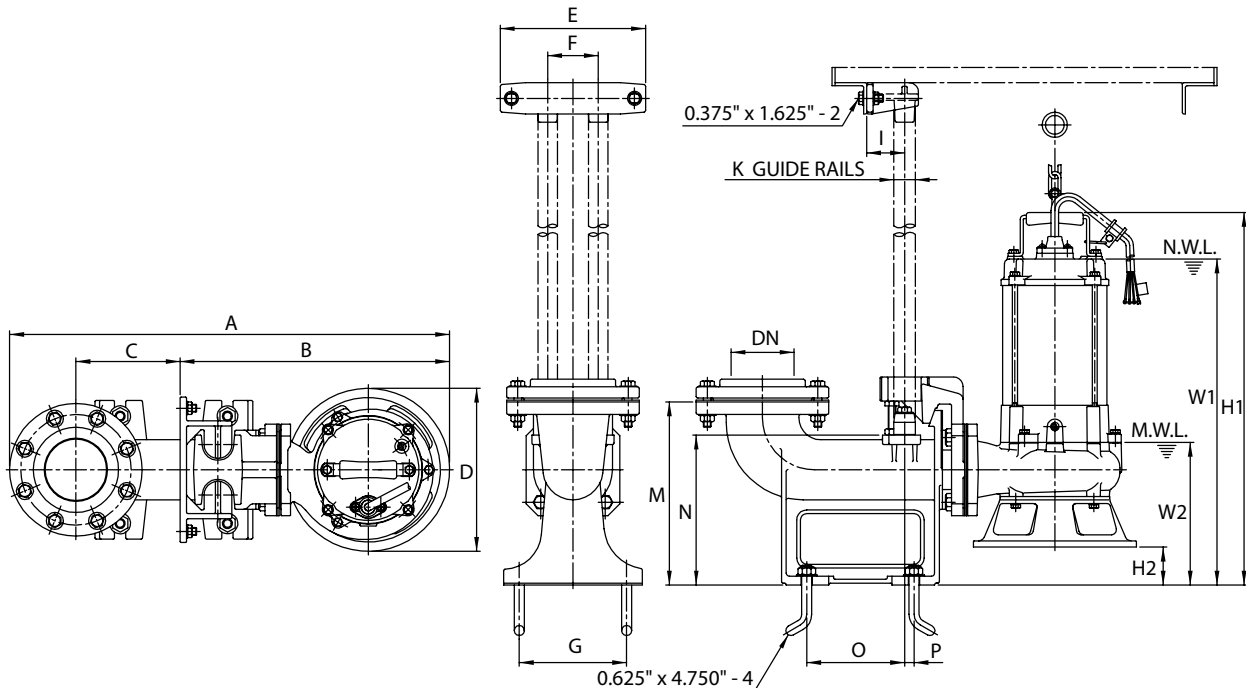
Pump Dimensions



TYPE	DN	A	B	C	D	E	F	G
SSE-3(AC/V)-XX-20	3	16.00	13.88	10.13	8.50	6.50	18.00(21.00)	20.88(24.00)
SSE-3(C/V)-XX-30	3	16.00	13.88	10.13	8.50	6.50	18.00(21.00)	20.88(24.00)

Single phase dimensions ()
 N.W.L.: Normal water level
 M.W.L.: Minimum water level

Easy Lift GRS - Guide Rail System Dimensions



TYPE	DN	A	B	C	D	E	F	G	I	K	M	N	O	P	W1	W2	H1	H2
SSE-3(AC/V)-XX-20	3	25.38	16.63	5.13	10.13	9.00	3.13	5.88	2.38	1.25	11.25	9.25	5.25	0.63	20.00(23.13)	8.63	23.00(26.13)	2.25
SSE-3(C/V)-XX-30	3	25.38	16.63	5.13	10.13	9.00	3.13	5.88	2.38	1.25	11.25	9.25	5.25	0.63	20.00(23.13)	8.63	23.00(26.13)	2.25

All dimensions are in inches unless otherwise noted.